

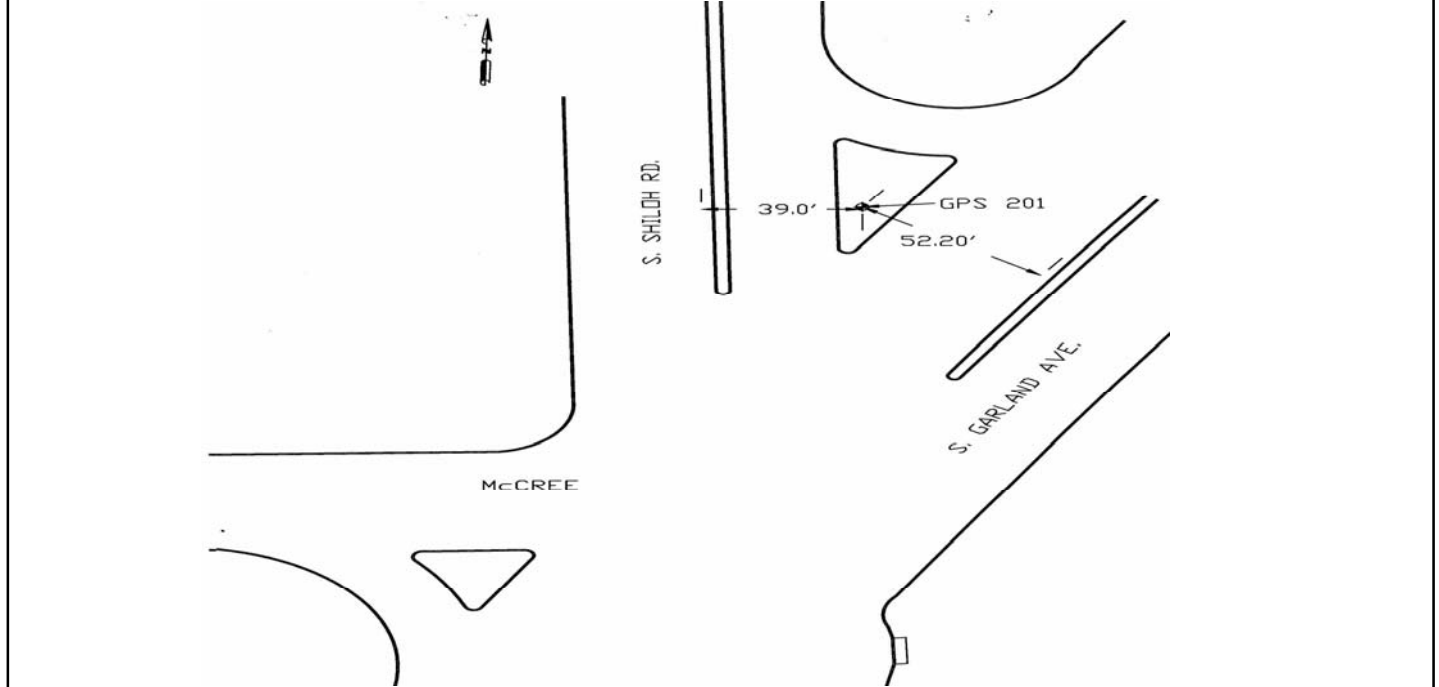
## GPS Station Observation Log

Station Designation	Check applicable: <input checked="" type="checkbox"/> GEO. CNTRL. <input type="checkbox"/> Trav. PT. <input type="checkbox"/> BM	Station PID, if any:	DATE:
		GPS 201	7/17/2006
Project Name: <b>Geodetic Monument</b>	Project Number: <b>GPS-201</b>	Stat. 4-Char ID: _____	Day of Year: _____
NAD83 Latitude: 32 52 18.88088	NAD83 Longitude: 96 39 55.42323	Session ID: (A,B,C,etc.)	
Observation Session Time		Agency Full Name: <b>City of Garland</b>	
151.679 ft./meters			
Sched. Start: _____ Stop: _____	NAVD88 Orthometric Height	Operator Full Name: Toney E. Gibson	
Actual Start: <b>8:30 AM</b> Stop: <b>12:35 PM</b>	177.666 ft./meters		
Epoch Interval = <u>5</u> Seconds	GEOID03 Geoid Height	Phone# (972) 205 - 2157	
Elevation Mask = _____ Degrees	ft./meters	E-mail: gbreysac@ci.garland.tx.us	

Receiver Brand & Model: Topcon Hiper Lite-Internal Antenna		Comments: 4 HRS STATIC DATA RECORDED.
<input type="checkbox"/> Base	<input checked="" type="checkbox"/> Rover	NOTE: ELEV. 582.89 IS ORTHO HT. CALC. BY OPUS.
P/N: 01-840802-03	P/N: 01-840802-03	*LEVEL LOOP ELEV. FROM RM 20 ELEV. 583.097 (NAVD 88)
S/N: 263-0243	S/N: 263-0233	
ID: 8QATEMNVCHS	ID: 8OKPW2V2RR4	

** ANTENNA HEIGHT **	Meters	Feet	NAD83 TXNC (4202)
Slant Height to ARP:	1.576	5.17	N = 7005065.42882
		5.06	E = 2531711.64588
Vertical Height to ARP:			Z = 583.097*
			CSF = 0.99985370
Meters = Feet x (0.3048) Height Entered into receiver : 1.5423 Meters.	Note: &/or sketch <b>ANY</b> unusual conditions. be <b>Very Explicit</b> as to where and how <b>Measured</b> .		

LOG Checked By:	Data File Name(s):	(standard NGS Format = aaaaddds.xxx) aaa=4 character ID, ddd=Day of Year,
-----------------	--------------------	--



GPS 201, 2" BRASS DISK STAMPED 201, LOCATED IN CONC. MEDIAN N. OF THE SHILOH RD & S. GARLAND AVE INT. APPROX. 39' E. OF SHILOH RD C/L And APPROX 52.20' N.W. OF S. GARLAND AVE. C/L.  
 \*\*\*COG MAP GRID L-5\*\*\*MAPSCO 29-S\*\*\*

### Table of Weather

Problem	Visibility	Temperature	Cloud Cover	Wind
NONE	GOOD	92°	CLOUDY	5 - 10 MPH
Any obstructions above 10° ? <input type="checkbox"/> YES <input type="checkbox"/> NO		Radio Interference source nearby ?		<input type="checkbox"/> YES <input type="checkbox"/> NO

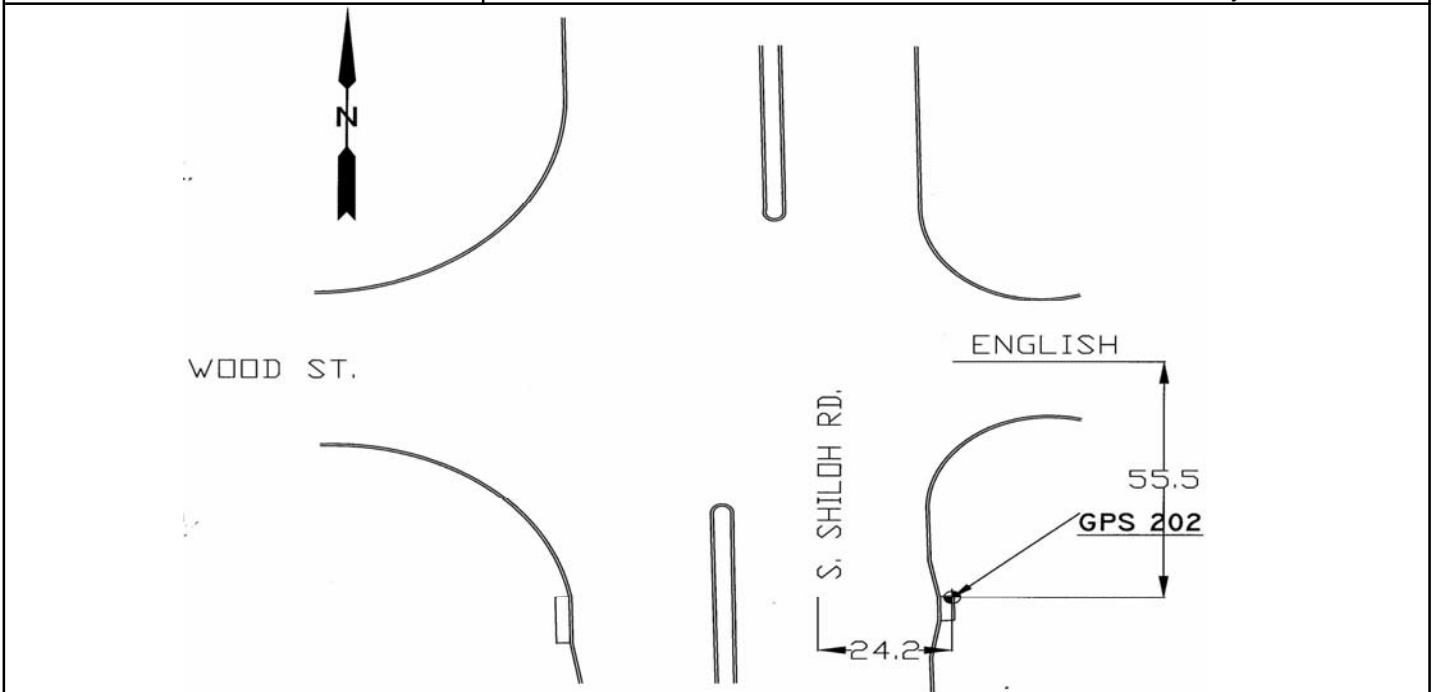
RPLS: GSB P.Chief: TG Field Tech: KW Field Tech: CW

## GPS Station Observation Log

Station Designation	Check applicable: <input checked="" type="checkbox"/> GEO. CNTRL. <input type="checkbox"/> Trav. PT. <input type="checkbox"/> BM	Station PID, if any:	DATE:
		GPS 202	11/17/2006
Project Name: <b>Geodetic Monument</b>	Project Number: <b>GPS-202</b>	Stat.4-Char ID: _____	Day of Year: _____
NAD83 Latitude: 32 53 11.89127	NAD83 Longitude: 96 39 55.59854	Session ID: (A,B,C,etc.)	
Observation Session Time		Agency Full Name: <b>City of Garland</b>	
Sched. Start: _____ Stop: _____		Operator Full Name: Toney E. Gibson	
Actual Start: 8:35 AM Stop: 12:55 PM		Phone# (972) 205 - 2157	
Epoch Interval = 5 Seconds		E-mail: gbreysac@ci.garland.tx.us	
Elevation Mask = _____ Degrees		ft./meters	
Receiver Brand & Model: Topcon Hiper Lite-Internal Antenna		Comments: 4 HRS. STATIC DATA RECORDED.	
<input type="checkbox"/> Base	<input checked="" type="checkbox"/> Rover	NOTE: ELEV.562.81 IS ORTHO HT. CALC. BY OPUS.	
P/N:01-840802-03	P/N:01-840802-03	****562.86-LEVEL LOOP FROM RM 20. (NAVD 88)	
S/N: 263-0243	S/N: 263-0233		
ID:8QATEMNVCHS	ID:8OKPW2V2RR4		

** ANTENNA HEIGHT **	<b>Meters</b>	<b>Feet</b>	<b>NAD83 TXNC (4202)</b>
Slant Height to ARP:	1.671	5.485	N = 7010421.45157
		5.375	E = 2531603.15201
Vertical Height to ARP:			Z = 562.86*
			CSF = 0.99985389
Meters = Feet x (0.3048) Height Entered into receiver : 1.6383 Meters.	Note: &/or sketch <b>ANY</b> unusual conditions. be <b>Very Explicit</b> as to where and how <b>Measured</b> .		

LOG Checked By:	Data File Name(s):	(standard NGS Format = aaaaddds.xxx) aaa=4 character ID, ddd=Day of Year,
-----------------	--------------------	--



GPS 202, 2" BRASS DISK STAMPED 202, LOCATED ON INLET TOP @ S.E. COR. SHILOH RD & ENGLISH DR INT. ON SHILOH RD. APPROX. 24.20' E. OF C/L S.SHILOH RD NORTH BOUND LANE AND APPROX. 55.50' S. OF ENGLISH DR. C/L. \*\*\*COG MAP GRID J-5\*\*\*MAPSCO 29-J\*\*\*

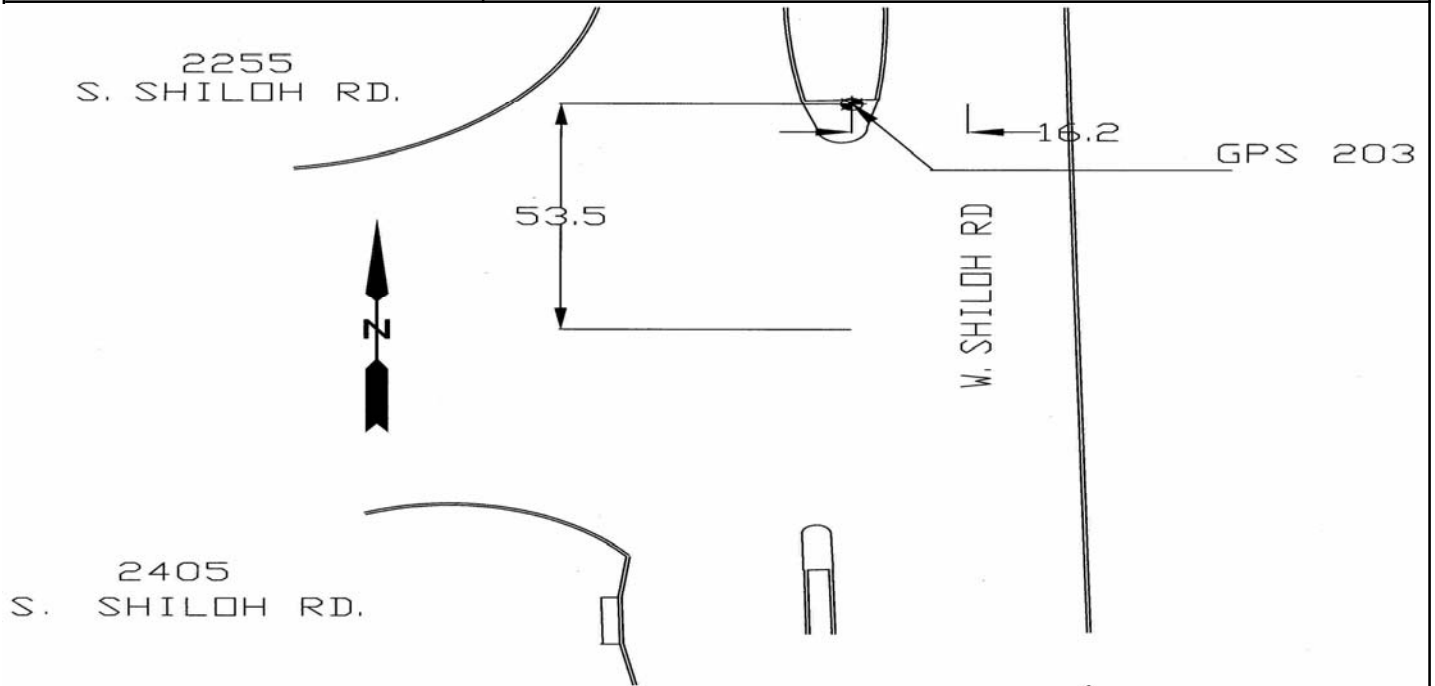
### Table of Weather

Problem	Visibility	Temperature	Cloud Cover	Wind
NONE	GOOD	50°	P / CLOUDY	5 - 10 MPH
Any obstructions above 10° ? <input type="checkbox"/> YES <input type="checkbox"/> NO		Radio Interference source nearby ?		<input type="checkbox"/> YES <input type="checkbox"/> NO

RPLS: GSB P.Chief: TG Field Tech: KW Field Tech: CW

### GPS Station Observation Log

Station Designation	Check applicable: <input checked="" type="checkbox"/> GEO. CNTRL. <input type="checkbox"/> Trav. PT. <input type="checkbox"/> BM	Station PID, if any:	DATE:
		GPS 203	1/11/2007
Project Name: <b>Geodetic Monument</b>	Project Number: <b>GPS-203</b>	Stat.4-Char ID: _____	Day of Year: _____
NAD83 Latitude: 32 53 25.35700	NAD83 Longitude: 96 39 56.08995	Session ID: (A,B,C,etc.)	
Observation Session Time		146.878	Agency Full Name: <b>City of Garland</b>
		ft./meters	
Sched. Start: _____ Stop: _____	NAVD88 Orthometric Height	Operator Full Name: Toney E. Gibson	
Actual Start: 8:30 AM Stop: 12:45 PM	172.855		
		ft./meters	
Epoch Interval = <u>5</u> Seconds	GEOID03 Geoid Height	Phone# (972) 205 - 2157	
Elevation Mask = _____ Degrees		ft./meters	E-mail: gbreysac@ci.garland.tx.us
Receiver Brand & Model: Topcon Hiper Lite-Internal Antenna		Comments: 4 HRS. STATIC DATA RECORDED.	
<input checked="" type="checkbox"/> Base	<input type="checkbox"/> Rover	NOTE: ELEV. 567.108 IS ORTHO HT. CALC. BY OPUS.	
P/N:01-840802-03	P/N:01-840802-03	*LEVEL LOOP ELEV. FROM RM 20. ELEV. 567.30 ( NAVD 88 )	
S/N: 263-0243	S/N: 263-0233		
ID:8QATEMNVCHS	ID:8OKPW2V2RR4		
** ANTENNA HEIGHT **		Meters	Feet
Slant Height to ARP:		1.626	5.335
			5.225
Vertical Height to ARP:			N = 7011781.32746
			E = 2531537.49597
			Z = 567.30*
			CSF = 0.9998535
Meters = Feet x (0.3048) Height Entered into receiver : 1.5926 Meters.		Note: &/or sketch <b>ANY</b> unusual conditions. be <b>Very Explicit</b> as to where and how <b>Measured</b> .	
LOG Checked By:	Data File Name(s):	(standard NGS Format = aaaaddds.xxx) aaa=4 character ID, ddd=Day of Year,	



GPS 203, 2" BRASS DISK STAMPED 203, LOCATED IN C/L MEDIAN NOSE ON SHILOH RD, IN FRONT OF 2255 SHILOH RD. APPROX. 53.50' N. OF SHILOH RD & 2255 & 2405 S. SHILOH RD DRIVEWAY ENTRANCE C/L. AND APPROX. 16.20' W. OF N. BOUND SHILOH RD C/L. \*\*\*COG MAP GRID J-5\*\*\*MAPSCO 29-J\*\*\*

#### Table of Weather

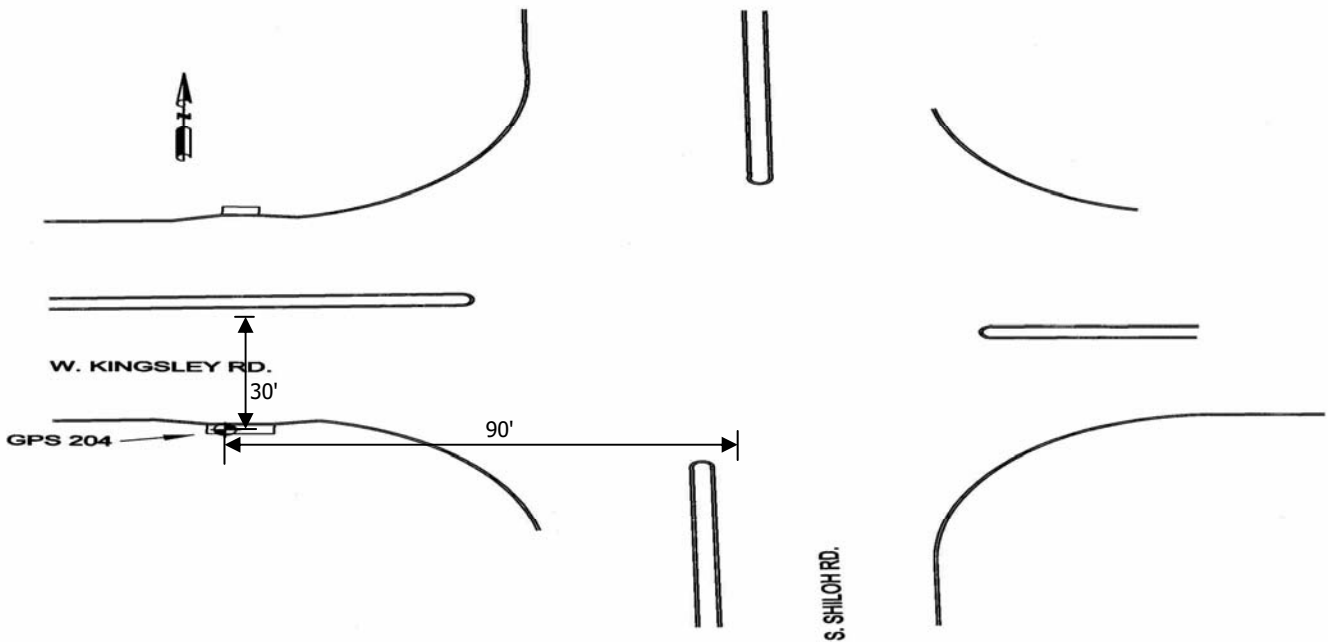
Problem	Visibility	Temperature	Cloud Cover	Wind
NONE	GOOD	55°	CLOUDY	15 - 20 MPH
Any obstructions above 10° ? <input type="checkbox"/> YES <input type="checkbox"/> NO		Radio Interference source nearby ?		<input type="checkbox"/> YES <input type="checkbox"/> NO

RPLS: GSB P.Chief: TG Field Tech: KW Field Tech: CW

## GPS Station Observation Log

Station Designation	Check applicable: <input checked="" type="checkbox"/> GEO. CNTRL. <input type="checkbox"/> Trav. PT. <input type="checkbox"/> BM	Station PID, if any:	DATE:
		GPS 204	7/19/2006
Project Name: <b>Geodetic Monument</b>		Project Number: <b>GPS-204</b>	
NAD83 Latitude: 32 52 43.66873		NAD83 Longitude: 96 39 56.87397	
NAD83 Ellipsoidal Height		151.076 m   ft./meters	
Observation Session Time		151.076 m   ft./meters	
Sched. Start: _____ Stop: _____		NAVD88 Orthometric Height	
Actual Start: 9:15 AM Stop: 1:20 PM		177.060 m   ft./meters	
Epoch Interval = 5 Seconds		GEOID03 Geoid Height	
Elevation Mask = _____ Degrees		ft./meters	
Receiver Brand & Model: Topcon Hiper Lite-Internal Antenna		Comments: 4 HRS STATIC DATA RECORDED.	
<input checked="" type="checkbox"/> Base <input type="checkbox"/> Rover		NOTE: ELEV. 580.90 IS ORTHO HT. CALC. BY OPUS.	
P/N:01-840802-03		P/N:01-840802-03	
S/N: 263-0243		S/N: 263-0233	
ID:8QATEMNVCHS		ID:8OKPW2V2RR4	
** ANTENNA HEIGHT **		Meters	Feet
Slant Height to ARP:		1.553	5.095
Vertical Height to ARP:			4.985
		NAD83 TXNC (4202)	
		N = 7007567.88444	
		E = 2531544.21184	
		Z = 580.90*	
		CSF = 0.99985343	
Meters = Feet x (0.3048)		Note: &/or sketch ANY unusual conditions. be <b>Very Explicit</b> as to	
Height Entered into receiver : 1.519428 Meters.		where and how <b>Measured</b> .	
LOG Checked By:	Data File Name(s):	(standard NGS Format = aaaadds.xxx)	
		aaa=4 character ID, ddd=Day of Year,	

Remarks, Comments on Problems, Sketches, Pencil Rubbing, etc:



GPS 204, 2" BRASS DISK STAMPED 204, LOCATED ON INLET TOP @ THE S.W. COR. OF KINGSLEY RD AND SHILOH RD INT. ON KINGSLEY RD. APPROX. 90' W. OF SHILOH RD C/L & APPROX. 30' S. OF KINGSLEY RD C/L. \*\*\*COG MAP GRID K-5\*\*\*MAPSCO 29-N\*\*\*

### Table of Weather

Problem	Visibility	Temperature	Cloud Cover	Wind
NONE	GOOD	87°	CLEAR	5 - 10 MPH
Any obstructions above 10° ? <input type="checkbox"/> YES <input type="checkbox"/> NO		Radio Interference source nearby ?		<input type="checkbox"/> YES <input type="checkbox"/> NO

RPLS: GSB P.Chief: TG Field Tech: KW Field Tech: CW

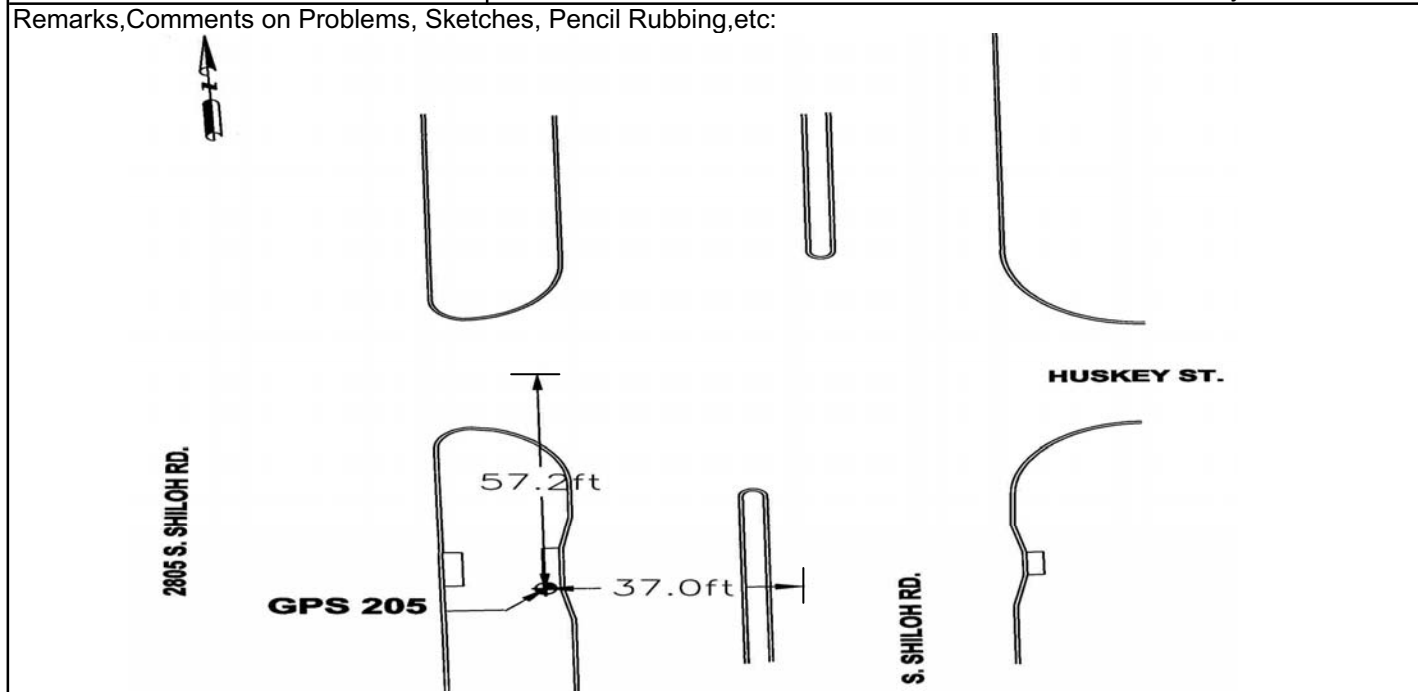
### GPS Station Observation Log

Station Designation	Check applicable: <input checked="" type="checkbox"/> GEO. CNTRL. <input type="checkbox"/> Trav. PT. <input type="checkbox"/> BM	Station PID, if any:	DATE:
		GPS 205	7/19/2006
Project Name: <b>Geodetic Monument</b>	Project Number: <b>GPS-205</b>	Stat.4-Char ID: _____	Day of Year: _____
NAD83 Latitude: 32 52 53.39559	NAD83 Longitude: 96 39 56.33934	Session ID: (A,B,C,etc.)	
Observation Session Time		Agency Full Name: <b>City of Garland</b>	
Sched. Start: _____ Stop: _____		Operator Full Name: Toney E. Gibson	
Actual Start: 9:16 AM Stop: 1:25 PM		Phone# (972) 205 - 2157	
Epoch Interval = 5 Seconds		E-mail: gbreysac@ci.garland.tx.us	
Elevation Mask = _____ Degrees			

Receiver Brand & Model: Topcon Hiper Lite-Internal Antenna		Comments: 4 HRS STATIC DATA RECORDED.
<input type="checkbox"/> Base	<input checked="" type="checkbox"/> Rover	NOTE: ELEV.576.08 IS ORTHO HT. CALC. BY OPUS.
P/N:01-840802-03	P/N:01-840802-03	*LEVEL LOOP ELEV.FROM RM 20. ELEV.576.18 (NAVD 88)
S/N: 263-0243	S/N: 263-0233	
ID:8QATEMNVCHS	ID:8OKPW2V2RR4	

** ANTENNA HEIGHT **	<b>Meters</b>	<b>Feet</b>	<b>NAD83 TXNC (4202)</b>
Slant Height to ARP:	1.752	5.75	N = 7008551.50452
		5.64	E = 2531572.63041
Vertical Height to ARP:			Z = 576.18*
			CSF = 0.99985352
Meters = Feet x (0.3048)	Note: &/or sketch <b>ANY</b> unusual conditions.be <b>Very Explicit</b> as to where and how <b>Measured</b> .		
Height Entered into receiver : 1.7191 Meters.			

LOG Checked By:	Data File Name(s):	(standard NGS Format = aaaadds.xxx) aaa=4 character ID, ddd=Day of Year,
-----------------	--------------------	---



GPS 205, 2" BRASS DISK STAMPED 205, LOCATED ON INLET TOP IN FRONT OF 2805 SHILOH RD. APPROX. 37' W. OF SHILOH RD AND APPROX. 57.20' S. OF SHILOH RD AND HUSKEY ST INT. C/L.

\*\*\*COG MAP GRID K-5\*\*\*MAPSCO 29-N\*\*\*

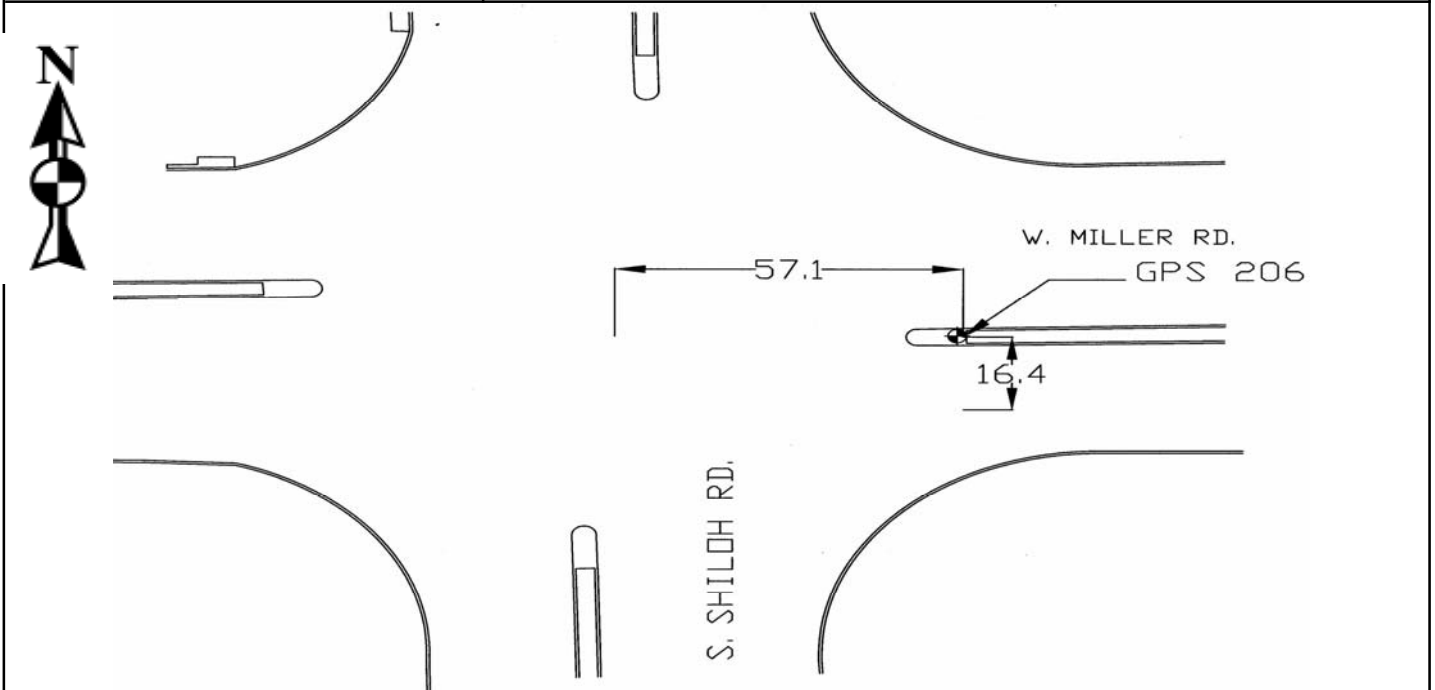
#### Table of Weather

Problem	Visibility	Temperature	Cloud Cover	Wind
NONE	GOOD	87°	CLEAR	5 - 10 MPH
Any obstructions above 10° ? <input type="checkbox"/> YES <input type="checkbox"/> NO		Radio Interference source nearby ?		<input type="checkbox"/> YES <input type="checkbox"/> NO

RPLS: GSB P.Chief: TG Field Tech: KW Field Tech: CW

## GPS Station Observation Log

Station Designation	Check applicable: <input checked="" type="checkbox"/> GEO. CNTRL. <input type="checkbox"/> Trav. PT. <input type="checkbox"/> BM	Station PID, if any:	DATE:
		GPS 206	1/11/2007
Project Name: <b>Geodetic Monument</b>	Project Number: <b>GPS-206</b>	Stat. 4-Char ID: _____	Day of Year: _____
NAD83 Latitude: 32 53 39.90391	NAD83 Longitude: 96 39 55.53569	NAD83 Ellipsoidal Height	Session ID: (A,B,C,etc.)
Observation Session Time		149.211	ft./meters
Sched. Start: _____ Stop: _____	NAVD88 Orthometric Height	Operator Full Name: Toney E. Gibson	
Actual Start: <u>10:55 AM</u> Stop: <u>3:00 PM</u>	175.185	ft./meters	
Epoch Interval = <u>5</u> Seconds	GEOID03 Geoid Height	Phone# (972) 205 - 2157	
Elevation Mask = _____ Degrees		ft./meters	E-mail: gbreysac@ci.garland.tx.us
Receiver Brand & Model: Topcon Hiper Lite-Internal Antenna		Comments: 4 HRS. STATIC DATA RECORDED.	
<input checked="" type="checkbox"/> Base	<input type="checkbox"/> Rover	NOTE: ELEV. 574.75 IS ORTHO HT. CALC. BY OPUS.	
P/N: 01-840802-03	P/N: 01-840802-03	*LEVEL LOOP ELEV. 574.83 FROM RM 20. ( NAVD 88 )	
S/N: 263-0243	S/N: 263-0233		
ID: 8QATEMNVCHS	ID: 8OKPW2V2RR4		
** ANTENNA HEIGHT **		Meters	Feet
Slant Height to ARP:	1.629	5.345	NAD83 TXNC (4202)
		5.235	N = 7013252.00693
Vertical Height to ARP:			E = 2531559.07401
			Z = 574.83*
			CSF = 0.99985294
Meters = Feet x (0.3048)	Note: &/or sketch <b>ANY</b> unusual conditions. be <b>Very Explicit</b> as to where and how <b>Measured</b> .		
Height Entered into receiver : 1.5956 Meters.			
LOG Checked By: _____	Data File Name(s): _____	(standard NGS Format = aaaaddds.xxx) aaa=4 character ID, ddd=Day of Year,	



GPS 206, 2" BRASS DISK STAMPED 206, LOCATED @ THE INT. OF MILLER RD & SHILOH RD ON MILLER RD C/L MEDIAN NOSE. APPROX. 57.10' E. OF SHILOH RD & MILLER RD INT. AND APPROX. 16.40' N. OF E. BOUND MILLER RD C/L. \*\*\*COG MAP GRID I-5\*\*\*MAPSCO 29-E\*\*\*

### Table of Weather

Problem	Visibility	Temperature	Cloud Cover	Wind
NONE	GOOD	52°	CLEAR	10 - 15 MPH
Any obstructions above 10° ? <input type="checkbox"/> YES <input type="checkbox"/> NO		Radio Interference source nearby ?		<input type="checkbox"/> YES <input type="checkbox"/> NO

RPLS: GSB P.Chief: TG Field Tech: KW Field Tech: CW

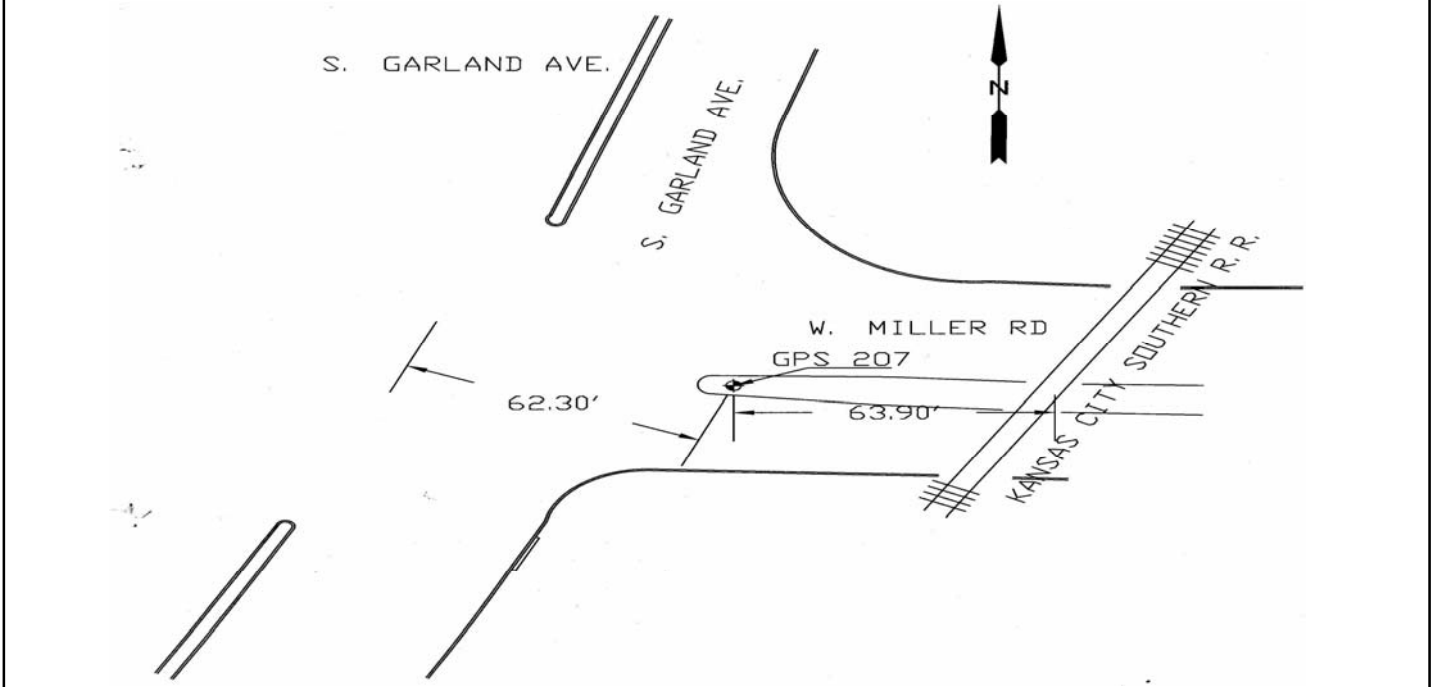
### GPS Station Observation Log

Station Designation	Check applicable: <input checked="" type="checkbox"/> GEO. CNTRL. <input type="checkbox"/> Trav. PT. <input type="checkbox"/> BM	Station PID, if any:	DATE:
		GPS 207	12/14/2005
Project Name: <b>Geodetic Monument</b>	Project Number: <b>GPS-207</b>	Stat. 4-Char ID: _____	Day of Year: _____
NAD83 Latitude: 32 53 39.83010	NAD83 Longitude: 96 38 55.98306	Session ID: (A,B,C,etc.)	
Observation Session Time		141.098	ft./meters
Sched. Start: _____ Stop: _____	NAVD88 Orthometric Height	Operator Full Name: Toney E. Gibson	
Actual Start: 9:90 AM Stop: 2:00 PM	167.020	Phone# (972) 205 - 2157	
Epoch Interval = 5 Seconds	GEOID03 Geoid Height	E-mail: gbreysac@ci.garland.tx.us	
Elevation Mask = _____ Degrees	ft./meters		

Receiver Brand & Model: Topcon Hiper Lite-Internal Antenna		Comments: 4 HRS. STATIC DATA RECORDED.
<input checked="" type="checkbox"/> Base	<input type="checkbox"/> Rover	NOTE: ELEV. 547.97 IS ORTHO HT. CALC. BY OPUS.
P/N:01-840802-03	P/N:01-840802-03	*LEVEL LOOP ELEV. FROM RM 20. ELEV. 548.07 ( NAVD 88 )
S/N: 263-0243	S/N: 263-0233	
ID:8QATEMNVCHS	ID:8OKPW2V2RR4	

** ANTENNA HEIGHT **	Meters	Feet	NAD83 TXNC (4202)
Slant Height to ARP:	1.728	5.67	N = 7013333.61110
		5.56	E = 2536635.80270
Vertical Height to ARP:			Z = 548.07*
			CSF = 0.99985422
Meters = Feet x (0.3048) Height Entered into receiver : 1.6947 Meters.	Note: &/or sketch <b>ANY</b> unusual conditions. be <b>Very Explicit</b> as to where and how <b>Measured</b> .		

LOG Checked By:	Data File Name(s):	(standard NGS Format = aaaaddds.xxx) aaa=4 character ID, ddd=Day of Year,
-----------------	--------------------	--



GPS 207, 2" BRASS DISK STAMPED 207, SET IN C/L CONC. MEDIAN ON MILLER RD @ MILLER RD & S.GARLAND AVE INT. APPROX. 62.30' E. OF GARLAND AVE. C/L AND APPROX. 63.90' W. OF KANSAS CITY SOUTHERN R.R. C/L. \*\*\*COG MAP GRID I-6\*\*\*MAPSCO 29-G\*\*\*

#### Table of Weather

Problem	Visibility	Temperature	Cloud Cover	Wind
NONE	GOOD	50°	CLOUDY	5 - 10 MPH
Any obstructions above 10° ? <input type="checkbox"/> YES <input type="checkbox"/> NO		Radio Interference source nearby ?		<input type="checkbox"/> YES <input type="checkbox"/> NO

RPLS: GSB P.Chief: TG Field Tech: KW Field Tech: CW

### GPS Station Observation Log

Station Designation	Check applicable: <input checked="" type="checkbox"/> GEO. CNTRL. <input type="checkbox"/> Trav. PT. <input type="checkbox"/> BM	Station PID, if any:	DATE:
		GPS 208	11/9/2006
Project Name: <b>Geodetic Monument</b>	Project Number: <b>GPS-208</b>	Stat. 4-Char ID: _____	Day of Year: _____
NAD83 Latitude: 32 53 52.77531	NAD83 Longitude: 96 39 56.68312	Session ID: (A,B,C,etc.)	
Observation Session Time		Agency Full Name: <b>City of Garland</b>	
Sched. Start: _____ Stop: _____		Operator Full Name: Toney E. Gibson	
Actual Start: 8:58 AM Stop: 1:10 PM		Phone# (972) 205 - 2157	
Epoch Interval = 10 Seconds		E-mail: gbreysac@ci.garland.tx.us	
Elevation Mask = _____ Degrees			

Receiver Brand & Model: Topcon Hiper Lite-Internal Antenna		Comments: 4 HRS. STATIC DATA RECORDED.
<input type="checkbox"/> Base	<input type="checkbox"/> Rover	NOTE: ELEV. 578.41 IS ORTHO HT. CALC. BY OPUS.
P/N: 01-840802-03	P/N: 01-840802-03	
S/N: 263-0243	S/N: 263-0233	
ID: 8QATEMNVCHS	ID: 8OKPW2V2RR4	

** ANTENNA HEIGHT **	Meters	Feet	NAD83 TXNC (4202)
Slant Height to ARP:	1.552	5.09	N = 7014550.85604
		4.98	E = 2531438.55260
Vertical Height to ARP:			Z = 578.40764
			CSF = 0.99985260

Meters = Feet x (0.3048)	Height Entered into receiver : 1.5179 Meters.	Note: &/or sketch <b>ANY</b> unusual conditions. be <b>Very Explicit</b> as to where and how <b>Measured</b> .
LOG Checked By:	Data File Name(s):	(standard NGS Format = aaaaddds.xxx) aaa=4 character ID, ddd=Day of Year,

GPS 208, 2" BRASS DISK STAMPED 208, LOCATED ON INLET TOP ON THE W. SIDE OF SHILOH RD. APPROX. 40' W. OF SHILOH RD C/L AND APPROX. 75' N. OF ROBIN DR C/L.  
 \*\*\*COG MAP GRID I-5\*\*\*MAPSCO 29-F\*\*\*

#### Table of Weather

Problem	Visibility	Temperature	Cloud Cover	Wind
NONE	GOOD	85°	P / CLOUDY	15 - 20 MPH
Any obstructions above 10° ? <input type="checkbox"/> YES <input type="checkbox"/> NO		Radio Interference source nearby ?		<input type="checkbox"/> YES <input type="checkbox"/> NO

RPLS: GSB P.Chief: TG Field Tech: KW Field Tech: CW



### GPS Station Observation Log

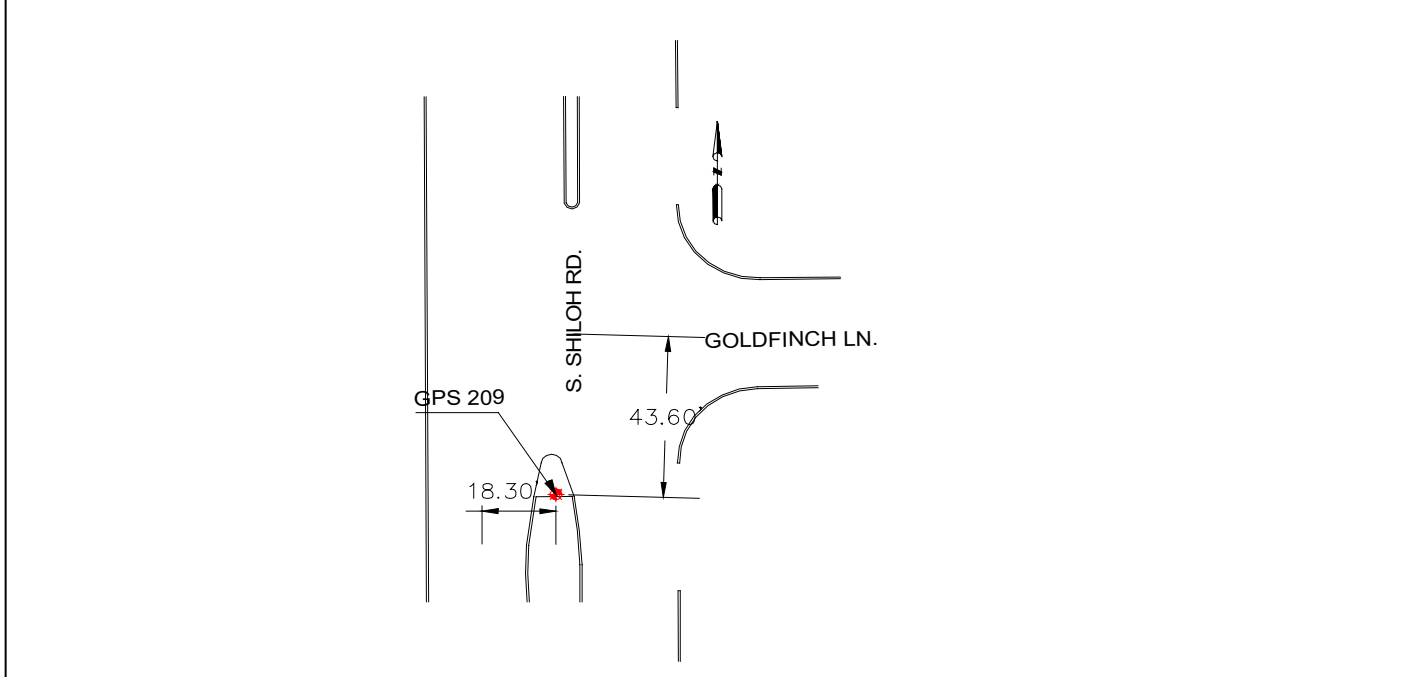
Station Designation	Check applicable: <input checked="" type="checkbox"/> GEO. CNTRL. <input type="checkbox"/> Trav. PT. <input type="checkbox"/> BM	Station PID, if any:	DATE:
		GPS 209	11/14/2006
Project Name: <b>Geodetic Monument</b>	Project Number: <b>GPS-209</b>	Stat. 4-Char ID: _____	Day of Year: _____
NAD83 Latitude: 32 54 06.40376	NAD83 Longitude: 96 39 56.11371	Session ID: (A,B,C,etc.)	
Observation Session Time		Agency Full Name: <b>City of Garland</b>	
		153.403   ft./meters	
Sched. Start: _____ Stop: _____	NAVD88 Orthometric Height	Operator Full Name: Toney E. Gibson	
Actual Start: _____ Stop: _____	179.374   ft./meters		
Epoch Interval = <u>10</u> Seconds	GEOID03 Geoid Height	Phone# (972) 205 - 2157	
Elevation Mask = _____ Degrees	ft./meters	E-mail: gbreysac@ci.garland.tx.us	

Receiver Brand & Model: <b>Topcon Hiper Lite - Internal Antenna</b>		Comments: 4 HRS. STATIC DATA RECORDED.
<input type="checkbox"/> Base	<input checked="" type="checkbox"/> Rover	NOTE: ELEV. 588.50 IS ORTHO HT. CALC. BY OPUS.
P/N:01-840802-03	P/N:01-840802-03	
S/N: 263-0243	S/N: 263-0233	
ID:8QATEMNVCHS	ID:8OKPW2V2RR4	

** ANTENNA HEIGHT **	Meters	Feet	NAD83 TXNC (4202)
Slant Height to ARP:		-0.11	N = 7015928.60591
Vertical Height to ARP:		<b>-0.0335</b>	E = 2531463.04074
			Z = 588.49620
			CSF = 0.99985194

Meters = Feet x (0.3048)  
 Height Entered into receiver : -0.0335 Meters.  
 Note: &/or sketch **ANY** unusual conditions. be **Very Explicit** as to where and how **Measured**.

LOG Checked By: \_\_\_\_\_ Data File Name(s): \_\_\_\_\_ (standard NGS Format = aaaaddds.xxx)  
 aaa=4 character ID, ddd=Day of Year,



GPS 209, 2" BRASS DISK STAMPED 209, LOCATED ON MEDIAN NOSE APPROX. 44' S. OF GOLDFINCH LN. & APPROX. 18' E. OF S. SHILOH RD. S. BOUND LANE C/L.  
 \*\*\*COG MAP GRID I-5\*\*\*MAPSCO 29-A\*\*\*

#### Table of Weather

Problem	Visibility	Temperature	Cloud Cover	Wind
NONE	GOOD	°		
Any obstructions above 10° ? <input type="checkbox"/> YES <input type="checkbox"/> NO		Radio Interference source nearby ?		<input type="checkbox"/> YES <input type="checkbox"/> NO

RPLS: GSB P.Chief: TG Field Tech: KW Field Tech: CW

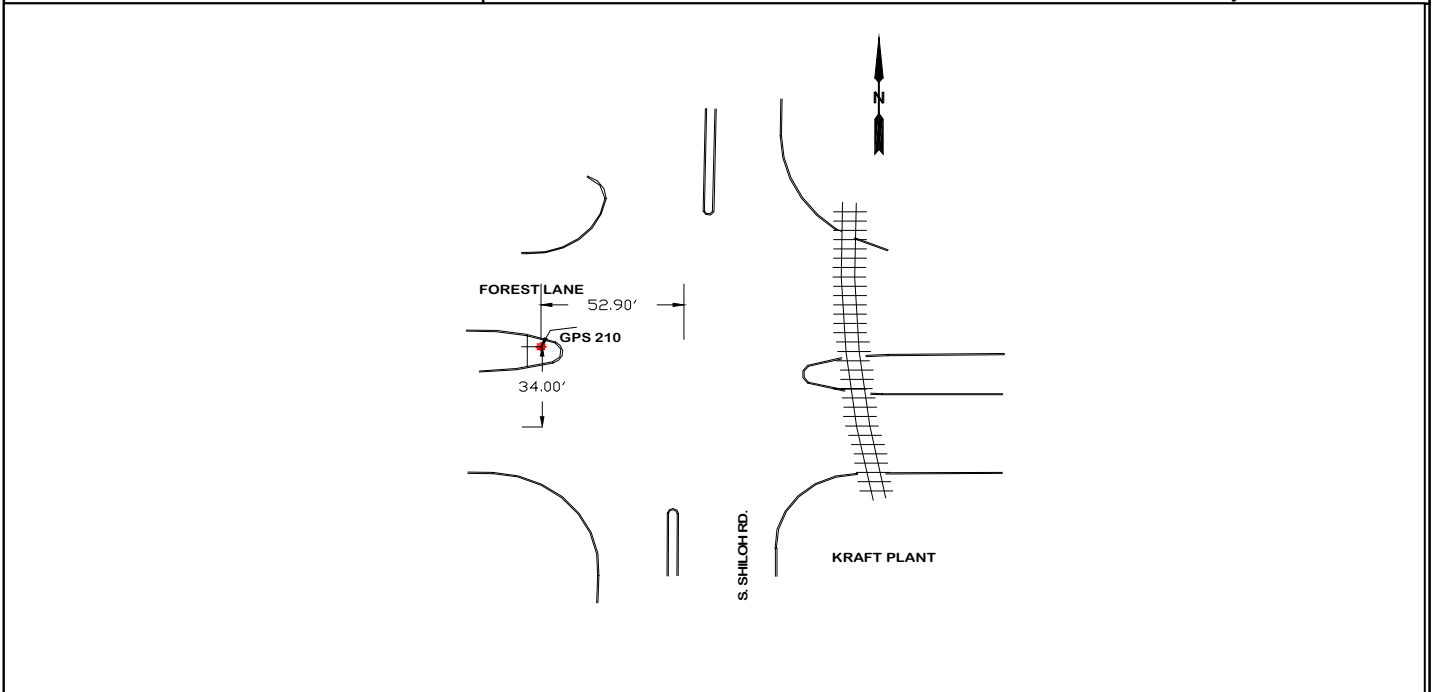
## GPS Station Observation Log

Station Designation	Check applicable: <input checked="" type="checkbox"/> GEO. CNTRL. <input type="checkbox"/> Trav. PT. <input type="checkbox"/> BM	Station PID, if any:	DATE:
		GPS 210	8/4/2006
Project Name: <b>Geodetic Monument</b>	Project Number: <b>GPS-210</b>	Stat. 4-Char ID: _____	Day of Year: _____
NAD83 Latitude: 32 54 32.65231	NAD83 Longitude: 96 39 56.22648	Session ID: (A,B,C,etc.)	
Observation Session Time		Agency Full Name: <b>City of Garland</b>	
Sched. Start: _____ Stop: _____		Operator Full Name: Toney E. Gibson	
Actual Start: <b>9:30 AM</b> Stop: <b>1:35 PM</b>		Phone# (972) 205 - 2157	
Epoch Interval = <b>5 Seconds</b>		E-mail: gbreysac@ci.garland.tx.us	
Elevation Mask = _____ Degrees			

Receiver Brand & Model: Topcon Hiper Lite-Internal Antenna		Comments: 4 HRS STATIC DATA RECORDED.
<input type="checkbox"/> Base	<input checked="" type="checkbox"/> Rover	NOTE: ELEV. 598.79 IS ORTHO HT. CALC. BY OPUS.
P/N: 01-840802-03	P/N: 01-840802-03	*LEVEL LOOP FROM NGSCS 2525 ELEV. 598.91 (NAVD 88)
S/N: 263-0243	S/N: 263-0233	
ID: 8QATEMNVCHS	ID: 8OKPW2V2RR4	

** ANTENNA HEIGHT **	Meters	Feet	NAD83 TXNC (4202)
Slant Height to ARP:	1.690	5.545	N = 7018580.80533
		5.435	E = 2531407.11237
Vertical Height to ARP:			Z = 598.91*
			CSF = 0.99985113
Meters = Feet x (0.3048) Height Entered into receiver : 1.6566 Meters.	Note: &/or sketch <b>ANY</b> unusual conditions. be <b>Very Explicit</b> as to where and how <b>Measured</b> .		

LOG Checked By:	Data File Name(s):	(standard NGS Format = aaaaddds.xxx) aaa=4 character ID, ddd=Day of Year,
-----------------	--------------------	--



GPS 210, 2" BRASS DISK STAMPED 210, LOCATED @ THE INT. OF FOREST LN. & SHILOH RD. IN THE WEST C/L MEDIAN NOSE OF FOREST LN. APPROX. 53' W. OF SHILOH RD. C/L AND APPROX. 34' N. OF E. BOUND FOREST LN. C/L. \*\*\*COG MAP GRID H-5\*\*\*MAPSCO 19-W\*\*\*

### Table of Weather

Problem	Visibility	Temperature	Cloud Cover	Wind
NONE	GOOD	90°	CLEAR	5 - 10 MPH
Any obstructions above 10° ? <input type="checkbox"/> YES <input type="checkbox"/> NO		Radio Interference source nearby ?		<input type="checkbox"/> YES <input type="checkbox"/> NO

RPLS: GSB P.Chief: TG Field Tech: KW Field Tech: CW

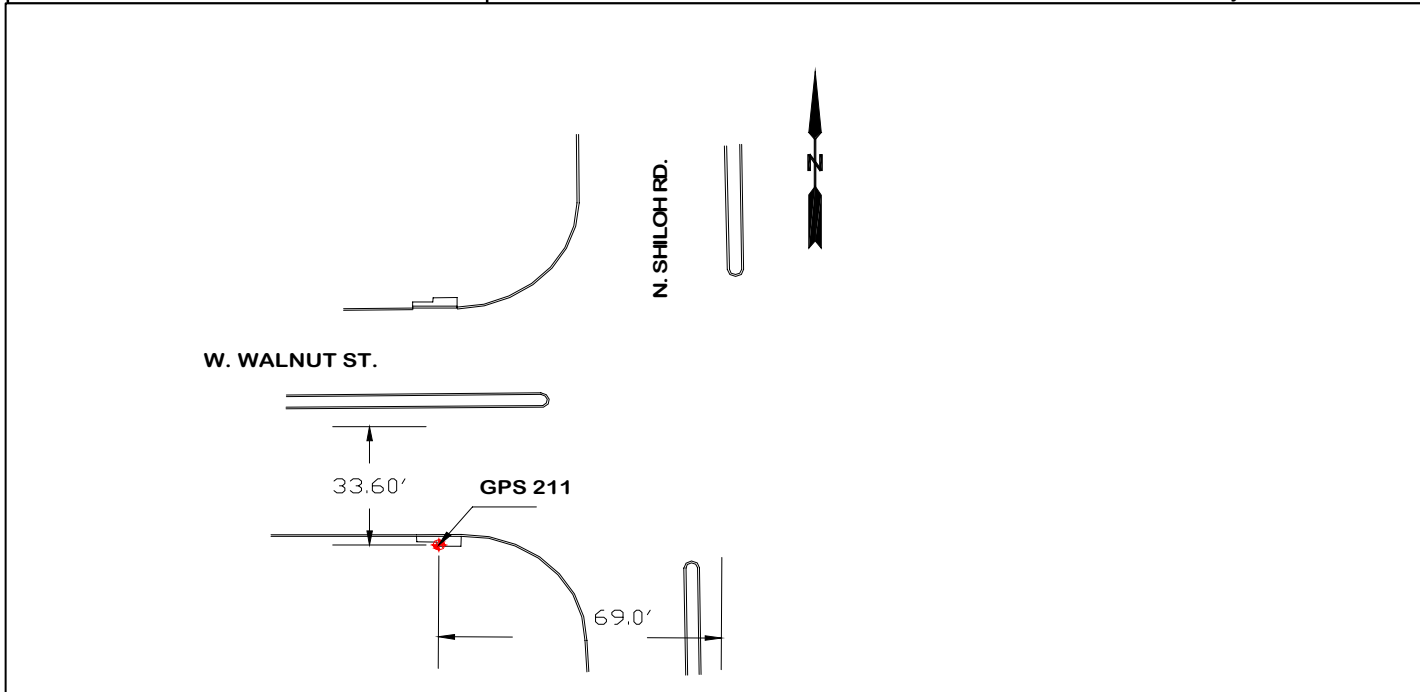
## GPS Station Observation Log

Station Designation	Check applicable: <input checked="" type="checkbox"/> GEO. CNTRL. <input type="checkbox"/> Trav. PT. <input type="checkbox"/> BM	Station PID, if any:	DATE:
		GPS 211	8/8/2006
Project Name: <b>Geodetic Monument</b>	Project Number: <b>GPS-211</b>	Stat. 4-Char ID: _____	Day of Year: _____
NAD83 Latitude: 32 54 58.55423	NAD83 Longitude: 96 39 55.77415	Session ID: (A,B,C,etc.)	
Observation Session Time		151.036 ft./meters	
Sched. Start: _____ Stop: _____	NAVD88 Orthometric Height	Operator Full Name: Toney E. Gibson	
Actual Start: 8:50 AM Stop: 1:00 PM	176.998 ft./meters	Agency Full Name: <b>City of Garland</b>	
Epoch Interval = 5 Seconds	GEOID03 Geoid Height	Phone# (972) 205 - 2157	
Elevation Mask = _____ Degrees	ft./meters	E-mail: gbreysac@ci.garland.tx.us	

Receiver Brand & Model: Topcon Hiper Lite-Internal Antenna		Comments: 4 HRS STAT DATA RECORDED.
<input type="checkbox"/> Base	<input checked="" type="checkbox"/> Rover	NOTE: ELEV. 580.70 IS ORTHO HT. CALC. BY OPUS.
P/N: 01-840802-03	P/N: 01-840802-03	*LEVEL LOOP FROM NGSCS 2525 ELEV. 580.68 (NAVD 88)
S/N: 263-0243	S/N: 263-0233	
ID: 8QATEMNVCHS	ID: 8OKPW2V2RR4	

** ANTENNA HEIGHT **	Meters	Feet	NAD83 TXNC (4202)
Slant Height to ARP:	1.638	5.375	N = 7021198.67411
		5.265	E = 2531399.96016
Vertical Height to ARP:			Z = 580.68*
			CSF = 0.99985169
Meters = Feet x (0.3048) Height Entered into receiver : 1.6048 Meters.	Note: &/or sketch <b>ANY</b> unusual conditions. be <b>Very Explicit</b> as to where and how <b>Measured</b> .		

LOG Checked By:	Data File Name(s):	(standard NGS Format = aaaadds.xxx) aaa=4 character ID, ddd=Day of Year,
-----------------	--------------------	---



GPS 211, 2" BRASS DISK STAMPED 211, LOCATED ON INLET TOP @ THE S.W. COR. OF WALNUT & SHILOH INT. ON WALNUT ST. APPROX. 69' W. OF THE C/L OF SHILOH RD. AND APPROX. 33.60' S. OF THE C/L OF WALNUT ST C/L. \*\*\*COG MAP GRID G-5\*\*\*MAPSCO 19-S & W\*\*\*

### Table of Weather

Problem	Visibility	Temperature	Cloud Cover	Wind
NONE	GOOD	90°	CLEAR	5 - 10 MPH
Any obstructions above 10° ? <input type="checkbox"/> YES <input type="checkbox"/> NO		Radio Interference source nearby ?		<input type="checkbox"/> YES <input type="checkbox"/> NO

RPLS: GSB P.Chief: TG Field Tech: KW Field Tech: CW

### GPS Station Observation Log

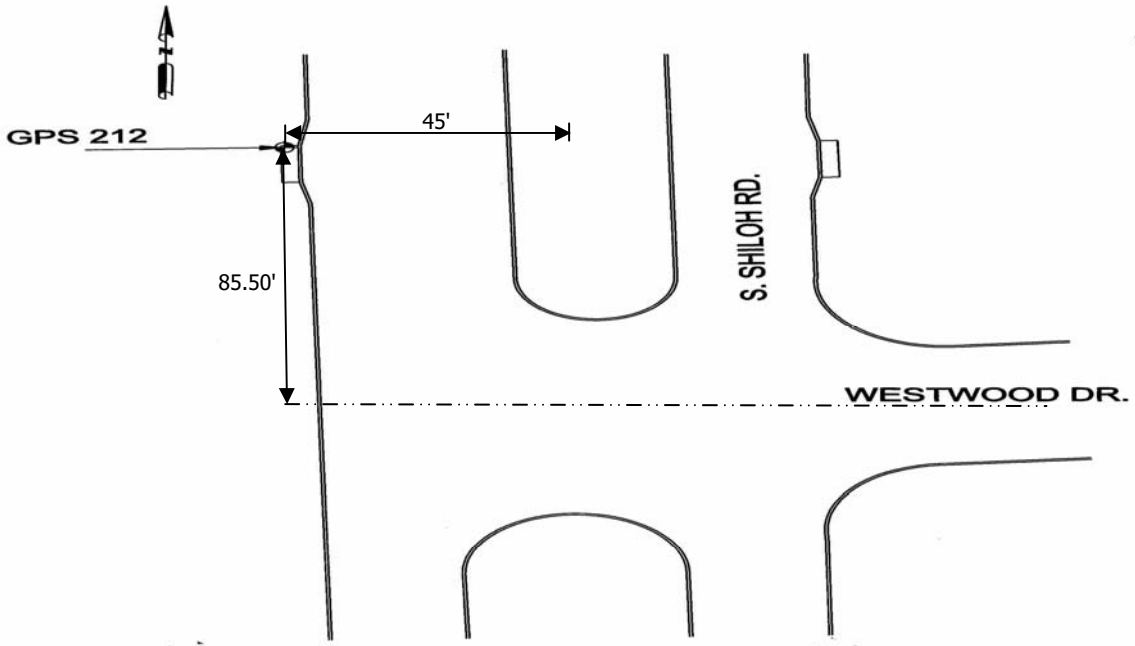
Station Designation	Check applicable: <input checked="" type="checkbox"/> GEO. CNTRL. <input type="checkbox"/> Trav. PT. <input type="checkbox"/> BM	Station PID, if any:	DATE:
		212	11/16/2006
Project Name: <b>Geodetic Monument</b>	Project Number: <b>GPS-212</b>	Stat. 4-Char ID: _____	Day of Year: _____
NAD83 Latitude: 32 55 13.93446	NAD83 Longitude: 96 39 55.67413	Session ID: (A,B,C,etc.)	
Observation Session Time		Agency Full Name: <b>City of Garland</b>	
Sched. Start: _____ Stop: _____		Operator Full Name: Toney E. Gibson	
Actual Start: 11:12 AM Stop: 3:20 PM		Phone# (972) 205 - 2157	
Epoch Interval = 10 Seconds		E-mail: gbreysac@ci.garland.tx.us	
Elevation Mask = _____ Degrees		ft./meters	

Receiver Brand & Model: Topcon Hiper Lite-Internal Antenna		Comments: 4 HRS. STATIC DATA RECORDED.
<input checked="" type="checkbox"/> Base	<input type="checkbox"/> Rover	NOTE: ELEV. 578.55 IS ORTHO HT. CALC. BY OPUS.
P/N: 01-840802-03	P/N: 01-840802-03	*LEVEL LOOP FROM NGSCS 2525 ELEV. 578.55 (NAVD 88)
S/N: 263-0243	S/N: 263-0233	
ID: 8QATEMNVCHS	ID: 8OKPW2V2RR4	

** ANTENNA HEIGHT **	Meters	Feet	NAD83 TXNC (4202)
Slant Height to ARP:	1.658	5.44	N = 7022752.88360
		5.33	E = 2531381.34143
Vertical Height to ARP:			Z = 578.55*
			CSF = 0.99985162
Meters = Feet x (0.3048) Height Entered into receiver : 1.6246 Meters.	Note: &/or sketch <b>ANY</b> unusual conditions. be <b>Very Explicit</b> as to where and how <b>Measured</b> .		

LOG Checked By:	Data File Name(s): (standard NGS Format = aaaaddds.xxx) aaa=4 character ID, ddd=Day of Year,
-----------------	---

Remarks, Comments on Problems, Sketches, Pencil Rubbing, etc:



GPS 212, 2" BRASS DISK STAMPED 212, LOCATED ON INLET TOP APPROX 85.50' N. OF THE INT. OF WESTWOOD AND SHILOH RD. APPROX 45' WEST C/L OF SHILOH RD.  
 \*\*\*COG MAP GRID G-5\*\*\*MAPSCO 19-S\*\*\*

#### Table of Weather

Problem	Visibility	Temperature	Cloud Cover	Wind
NONE	GOOD	47°	CLEAR	5 -10 MPH
Any obstructions above 10° ? <input type="checkbox"/> YES <input type="checkbox"/> NO		Radio Interference source nearby ?		<input type="checkbox"/> YES <input type="checkbox"/> NO

RPLS: GSB P.Chief: TG Field Tech: KW Field Tech: CW

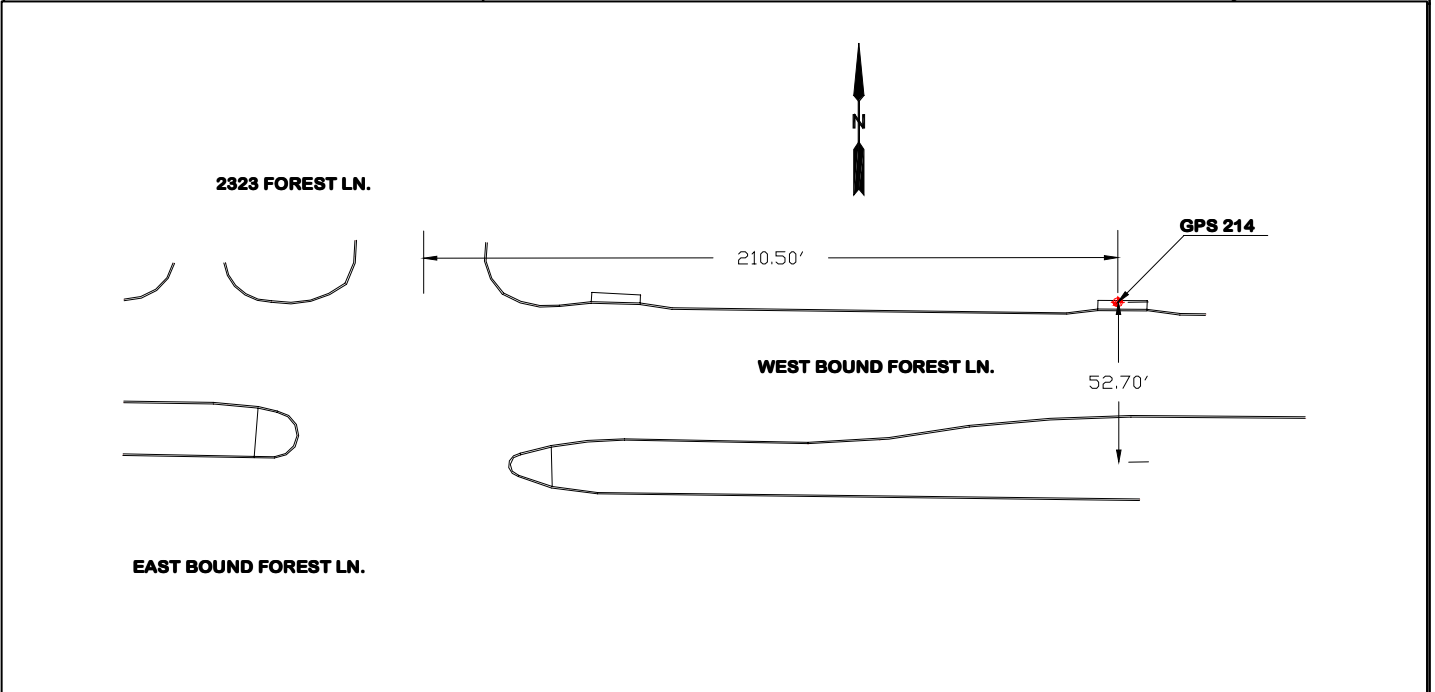
## GPS Station Observation Log

Station Designation	Check applicable: <input checked="" type="checkbox"/> GEO. CNTRL. <input type="checkbox"/> Trav. PT. <input type="checkbox"/> BM	Station PID, if any:	DATE:
		GPS 214	4/26/2007
Project Name: <b>Geodetic Monument</b>	Project Number: <b>GPS-214</b>	Stat. 4-Char ID: _____	Day of Year: _____
NAD83 Latitude: 32 54 32.86114	NAD83 Longitude: 96 39 40.41288	Session ID: (A,B,C,etc.)	
Observation Session Time		Agency Full Name: <b>City of Garland</b>	
152.099   ft./meters			
Sched. Start: _____ Stop: _____	NAVD88 Orthometric Height	Operator Full Name: Toney E. Gibson	
Actual Start: <b>10:41 AM</b> Stop: <b>2:50 PM</b>	178.052   ft./meters		
Epoch Interval = <u>10</u> Seconds	GEOID03 Geoid Height	Phone# (972) 205 - 2157	
Elevation Mask = _____ Degrees	ft./meters	E-mail: gbreysac@ci.garland.tx.us	

Receiver Brand & Model: Topcon Hiper Lite-Internal Antenna		Comments: 4 HRS. STATIC DATA RECORDED.
<input checked="" type="checkbox"/> Base	<input type="checkbox"/> Rover	NOTE: ELEV. 584.16 IS ORTHO HT. CALC. BY OPUS.
P/N: 01-840802-03	P/N: 01-840802-03	*LEVEL LOOP FROM NGSCS 2525 ELEV. 584.18 (NAVD 88)
S/N: 263-0243	S/N: 263-0233	
ID: 8QATEMNVCHS	ID: 8OKPW2V2RR4	

** ANTENNA HEIGHT **	Meters	Feet	NAD83 TXNC (4202)
Slant Height to ARP:	1.762	5.785	N = 7018625.471
		5.675	E = 2532754.561
Vertical Height to ARP:		<b>1.7297</b>	Z = 584.18*
			CSF = 0.99985182
Meters = Feet x (0.3048)	Note: &/or sketch <b>ANY</b> unusual conditions. be <b>Very Explicit</b> as to where and how <b>Measured</b> .		
Height Entered into receiver : 1.7297 Meters.			

LOG Checked By:	Data File Name(s): (standard NGS Format = aaaaddds.xxx) aaa=4 character ID, ddd=Day of Year,
-----------------	---



GPS 214, 2" BRASS DISK STAMPED 214, LOCATED ON INLET TOP ON N. SIDE OF FOREST LANE. APPROX. 52.70' N OF FOREST LN C/L AND APPROX 210.50' E. OF 2323 FOREST LN DRIVEWAY C/L.  
 \*\*\*COG MAP GRID H-5\*\*\*MAPSCO 19-W\*\*\*

### Table of Weather

Problem	Visibility	Temperature	Cloud Cover	Wind
NONE	GOOD	70°	CLEAR	10 - 15 MPH
Any obstructions above 10° ? <input type="checkbox"/> YES <input type="checkbox"/> NO		Radio Interference source nearby ?		<input type="checkbox"/> YES <input type="checkbox"/> NO

RPLS: GSB P.Chief: TG Field Tech: KW Field Tech: CW